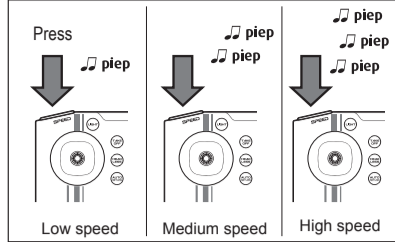


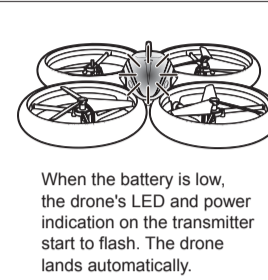
At a certain height, the drone is able to do loops.  
**To do this:** Press the Stunt Button on the transmitter (it makes a sound), then indicate the loop's desired direction on the Transmitter. Push the right stick upwards for a front loop, downwards for a backward loop, left for a left loop or right for a right loop

5-6: Speed Settings

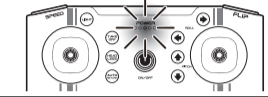


6. Other Flight Instructions

6-1: Low battery level



When the battery is low, the drone's LED and power indication on the transmitter start to flash. The drone lands automatically.



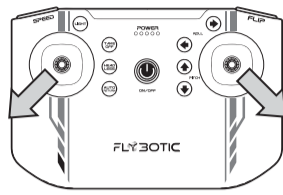
**WARNING:** Recharge the battery before it completely dries up.

6-2: Motor protection system



The drone is fitted with a motor protection system: after a collision or when one of the rotors is obstructed, a short-circuit is triggered to switch off the motors and preserve their integrity. If the short circuit is triggered, return the altitude stick to the minimum altitude position manually, then switch off the transmitter and the drone and wait for at least 1 minute before switching them back on and restarting synchronization.

6-3: Calibrate the drone



**Step 1:** Set the drone on a horizontal surface within the Transmitter's range.  
**Step 2:** Push the left stick to lower left corner and right stick to lower right corner simultaneously for 2 - 3 seconds. The lights on the drone will flash rapidly.  
**Step 3:** Repeat the operation. The lights will become stable, indicating that calibration process is successfully completed. When "beep beep" sound presents meaning that the calibration is completed

8. Troubleshooting

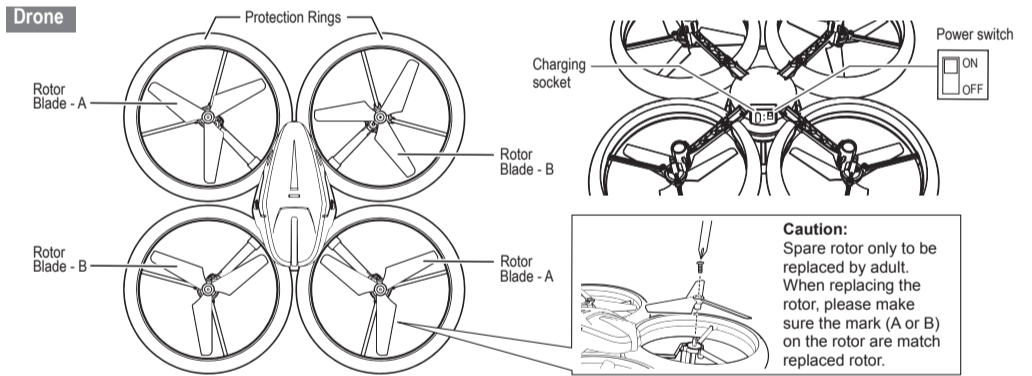
Symptom	Cause	Correction
The Drone does not respond.	- The Drone and/ or the transmitter is switch off ("OFF"). - The battery of the Drone is weak.	- Set the power switch to "ON" - Recharge the battery of the Drone.
The Drone does not react, or react poorly to operation by transmitter.	- The drone battery is flat or the Transmitter batteries are dead. - The product may be affected by electromagnetic interference.	- Charge the drone battery or replace the Transmitter batteries. If this works, switch the appliance off and on, following the instructions in the user manual. If the functions do not reset, change locations.
The drone flies out of your control	- The drone's settings are not correct - The drone is not calibrated	- Use the trimmers to compensate the directions (step 5 - 4) - Calibrate the drone: refer to step 6-3
Loss of control.	- Out of the control range of distance. - Rotor blade is deformed or distorted. - The drone performance might be influenced under windy condition	- The transmission range is up to 30 meters in open space. - Replace the rotor blade with the spare one provided. - Avoid to play the drone at windy location

**BUMPER DRONE LITE™**

Become our fan on facebook  
[facebook.com/SilverlitToys](https://www.facebook.com/SilverlitToys)

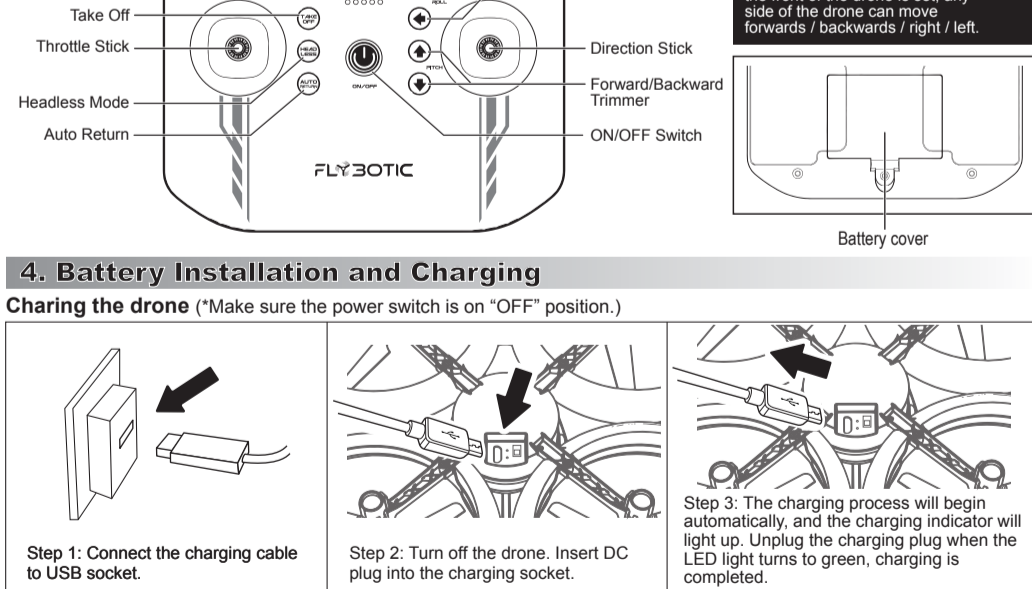
Visit us at  
[www.Silverlit.com](http://www.Silverlit.com)

3. Part Identification



4. Battery Installation and Charging

Charing the drone (\*Make sure the power switch is on "OFF" position.)



**Warning !**

Remove these batteries from the unit by pulling up on one end of each battery positive by hand. DO NOT remove or install batteries using sharp or metal tools.

**Note:** 1. The Drone can operate for about 4 - 5 minutes per every 50-60 minutes charging.  
2. Before recharging the battery, wait 10 - 15 minutes for it to cool down.

**BUMPER DRONE LITE**

ENGLISH 1  
For ages 8+  
Ab 8 Jahre  
A partir de 8 ans  
Leeftijd vanaf 8 jaar

A partir de 8 años  
Dai 8 anni in su  
Para idades superiores a 8 años

This toy is only to be connected to equipment bearing either of the following symbols:



Hereby, Silverlit Toys Manufactory Ltd declares that the radio equipment 84826 is in compliance with Directive 2014/53/EU. The full text of the EU declaration of conformity is available at the following internet address: [www.silverlit.com/certificate](http://www.silverlit.com/certificate)  
Frequency Band Range: 2400 - 2483.5MHz Maximum Radio-Frequency Power: < 10dBm

MFR No. 84826

1. Delivery contents



2. Precautions, Warnings and Statements

The crossed-out dustbin symbol indicates that batteries, rechargeable batteries, button cells, battery packs, etc. must not be put in the household waste. Batteries are harmful to health and the environment. Please help to protect the environment from health risks. If the toy is out of use, please use common household tool to break the product for built-in rechargeable battery operated toy or unscrew the battery door for replaceable battery operated toy, then take the battery out from the toy. Dispose of battery in accordance with your local battery recycling or disposal laws.

**Warning:** Changes or modifications to this unit not expressly approved by the party responsible for compliance could void the user's authority to operate the equipment.

**USB cable statement:**

- If battery cannot be charged, Please try another adapter.
- The product must only be used with the provided USB cable for charging.
- Do not use high output adapter for battery charging (1A or above).
- Transformer or battery charger used with the toy are to be regularly examined for damage to the cord, plug, enclosure and other parts, and in the event of such damage, they must not be used until the damage has been repaired.

**Care and Maintenance:**

- Always remove batteries from the product when it is not being used for a long period of time. (Transmitter only)
- Wipe the product gently with a clean damp cloth.
- Keep the product away from direct heat.
- Do not submerge the product into water that can damage the electronic assemblies.

**Special notes to adults:**

- Caution. Read the manual carefully before first use.
- Assembly should be performed by adults(changing battery/spare parts, trimming etc).
- Parental guidance is recommended when installing or replacing batteries.
- Do not change or modify anything on the drone.
- The screwdriver is not a toy, please keep away from the children.
- The screwdriver is only used for replacing the propeller.

**Waste Electrical and Electronic Equipment (WEEE)**

When this appliance is out of use, please remove all batteries and dispose of them separately. Bring electrical appliances to the local collecting points for waste electrical and electronic equipment. Other components can be disposed of in domestic refuse.

**FCC Statements**

The device has been evaluated to meet general RF exposure requirement. The device can be used in portable exposure condition without restriction. This device complies with part 15 of the FCC rules. Operation is subject to the following two conditions:

- 1) This device may not cause harmful interference, and
- 2) This device must accept any interference received, including interference that may cause undesired operation.

**NOTE:** This equipment has been tested and found to comply with the limits for a Class B digital device, pursuant to Part 15 of the FCC Rules. These limits are designed to provide reasonable protection against harmful interference in a residential installation. This equipment generates, uses and can radiate radio frequency energy and, if not installed and used in accordance with the instructions, may cause harmful interference to radio communications. However, there is no guarantee that interference will not occur in a particular installation. If this equipment does cause harmful interference to radio or television reception, which can be determined by turning the equipment off and on, the user is encouraged to try to correct the interference by one or more of the following measures:

- Reorient or relocate the receiving antenna.
- Increase the separation between the equipment and receiver.
- Connect the equipment into an outlet on a circuit different from that to which the receiver is connected.
- Consult the dealer or an experienced radio/TV technician for help.

**Tip! Safety hints**

- Never take apart or attempt to modify the product. This could damage the product.
- Drone piloting requires specific skills and should be learned under direct supervision of an experienced adult.
- Never operate this product if it has damaged parts.
- Attention! Do not fly the Drone near persons and animals.
- Do not fly the Drone in the vicinity of water and power lines.
- Always keep your eyes on the Drone and prevent it from landing or crashing near your head, your body, or on other people.
- Stand during operation in order to get out of the way of the Drone quickly if necessary.
- Always switch the Drone and the transmitter off when not operating.
- Warning! Do not touch the running rotors. Keep hands, hair and loose clothes away from moving parts to avoid injury.
- Never hold or throw any objects into the running rotors.
- Attention! Risk of eye injuries! Keep a safety distance of at least 1 meter.
- Instruction sheet and packaging must be retained since it contains important information.

**Notes:**

- New alkaline batteries are recommended to use in this product to obtain best and maximum performance.
- This product must only be used with the recommended charger.
- Do not operate battery charger if it has been damaged in anyway.

**The normal function of the product may be disturbed by Strong Electro Magnetic Interference. If so, simply reset the product to resume normal operation by following the instruction manual. In case the function could not resume, please use the product in other location.**

**Battery requirement (Transmitter):**

Power Supply : ---  
Rating : DC 4.5 V , 0.5 W  
Batteries : 3 x 1.5 V "AAA"/LR03/AM4 (not included)

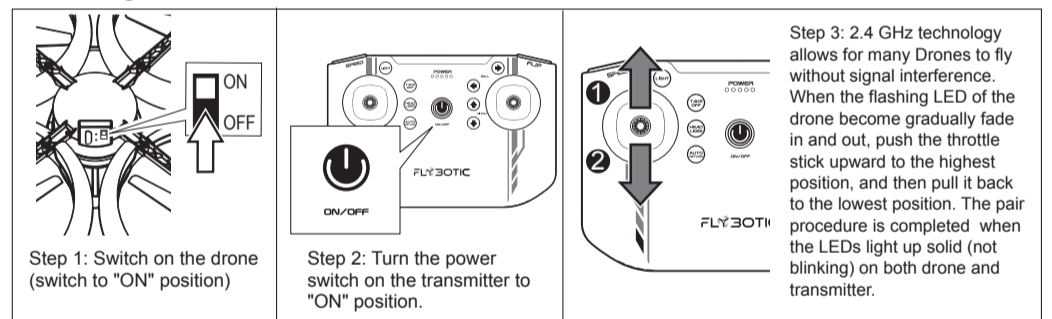
**Battery requirement (Drone):**

Power Supply : ---  
Rating : DC 3.7 V , 10 W  
Batteries : 1 x 3.7 V Li-Poly Battery Pack (included)

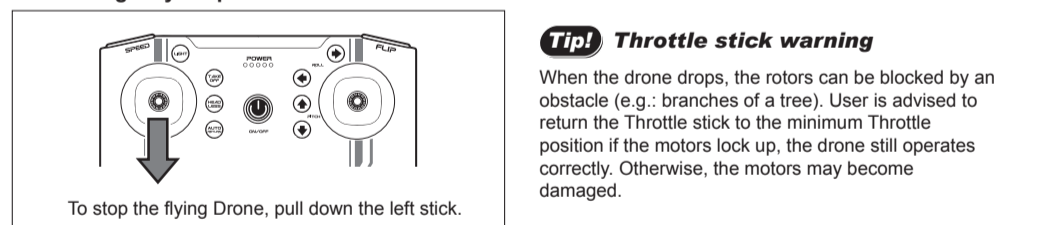
**Silverlit®** Silverlit SAS, 80 rue Barthelemy Danjou, 92100 Boulogne-Billancourt / France.  
© 2024 Silverlit. All rights reserved.

5. Flying the Drone

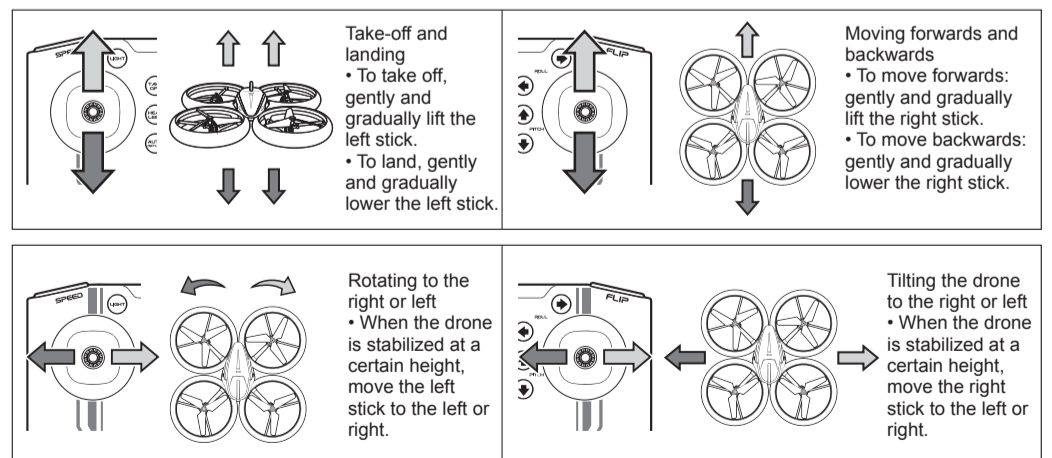
5-1: Starting the drone:



5-2 : Emergency Stop



5-3: Main commands



5-4: Appliance setting

