



YOUR EQUIPMENT

(what's included)

Parts x 24 • Life pod x 1 • Astronaut x 1
Achievement card x 1



EUROPA



TYPE:
MOON



SATELLITE OF:
JUPITER



DIAMETER:
3,100 KM



ATMOSPHERE:
MOSTLY OXYGEN



TEMPERATURE:
-160 °C



CHANCE OF LIFE:
POSSIBLE

ASTROPOD™ is an international corporation striving to explore our solar system. This time, they have landed on a moon of Jupiter called EUROPA.

EUROPA was discovered by Galileo in 1610, researched by mankind in 2024, now explored by you.



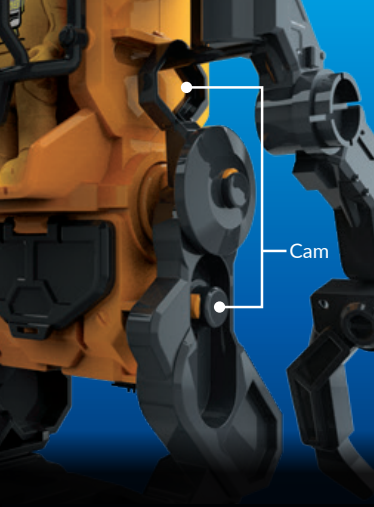
MISSION: EXOSKELETON

We have discovered a lot of rare metals, asteroids, and bio-crystals on EUROPA. These resources must be brought to our space station for research. Your mission is to build an exoskeleton robot, then use it to **do all the heavy lifting!**



OBJECTIVE:

- 1) Build an Exoskeleton Robot
- 2) Insert astronaut into robot to operate machine



Engines used on heavy-lift rockets at Engine Processing Center

DID YOU KNOW?

The Exoskeleton you just built uses a mechanical linkage called “Cam” to move. Cam has different uses like making locks or moving cars. Even **Rocket Engines** use cam to work!



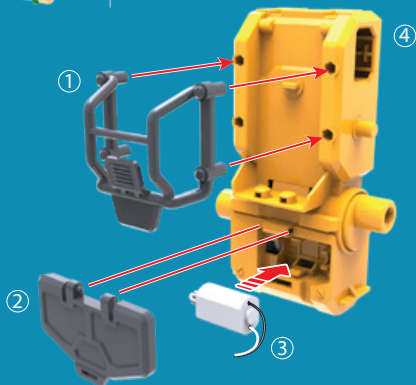
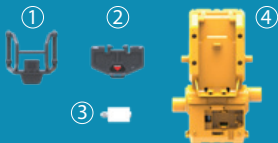
Scan for more online instructions
Scannen für weitere Online-Anleitungen
Scannez pour obtenir plus d'instructions en ligne
Scan voor meer online instructies
Escanear para obtener más instrucciones online
Scansiona il codice per ulteriori istruzioni online
Сканируйте, чтобы открыть подробную онлайн-инструкцию
Faz a leitura para obteres mais instruções online

FIND OUT MORE

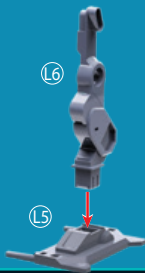
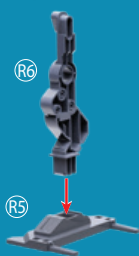
ASTROPOD™ STORY

HOW TO BUILD

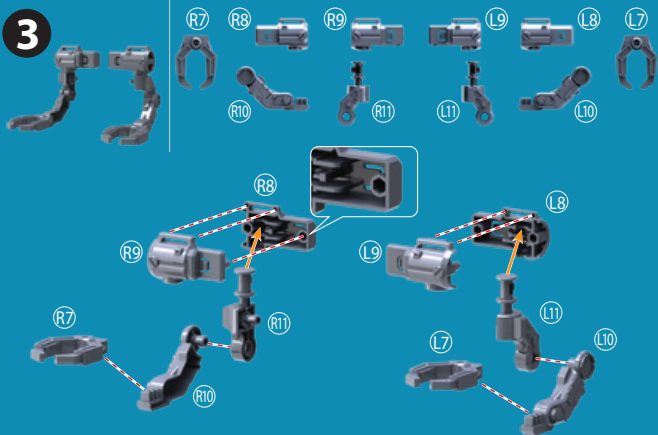
1



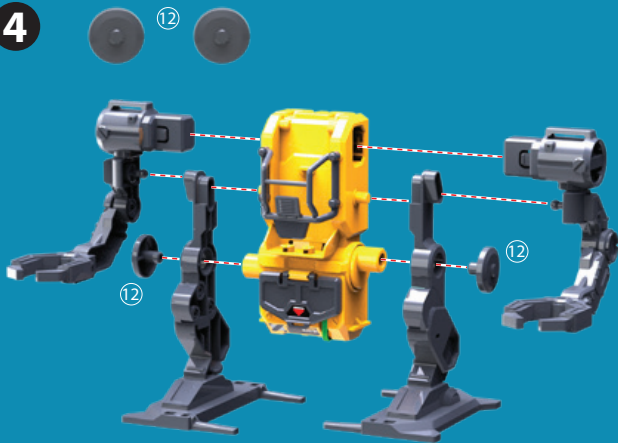
2



3

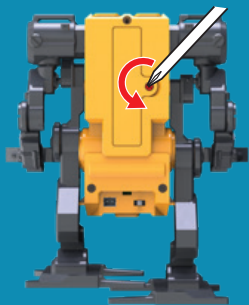


4

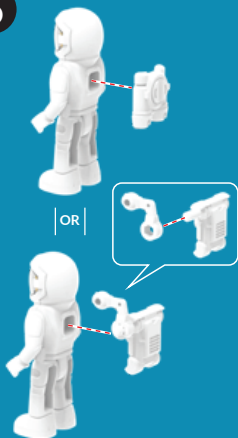


HOW TO PLAY

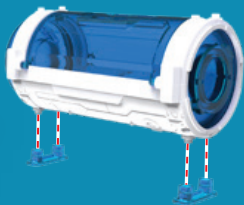
5



6



7



Label Instruction

