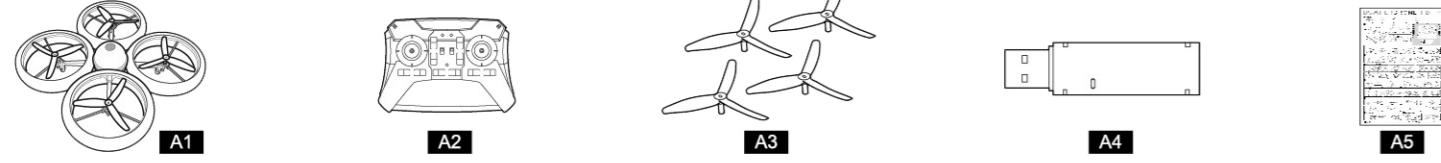


# BUMPERDRONE HD

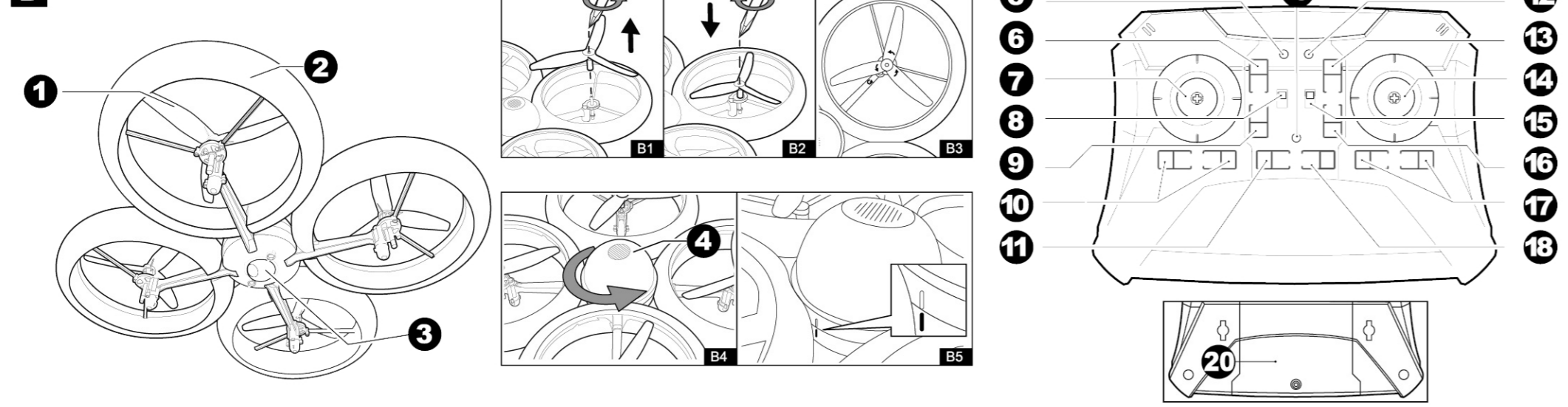
EI-8340  
MFR No. 84813

ENGLISH  
A. Content Delivery (See picture A)  
B. Part Identification (See picture B)  
C. Battery Installation and Charging (See picture C)  
D. Flying the Drone (See picture D)  
E. Trimming the Drone (In Normal Mode only) (See picture E)  
F. Flight control: Take off and left control (See picture F)  
G. Flight control (See picture G)  
H. Fly mode setting (Normal/ Headless Mode and Beginner / Intermediates / Advanced Mode) (See picture H)  
I. Protective Bumper (See picture I)  
J. Download photos and videos (See picture J)

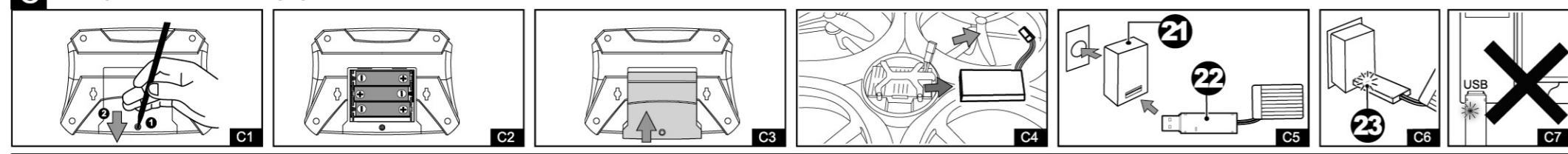
## A Content Delivery



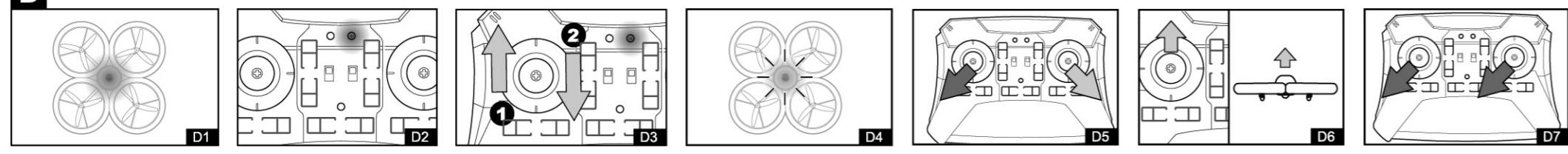
## B Part Identification



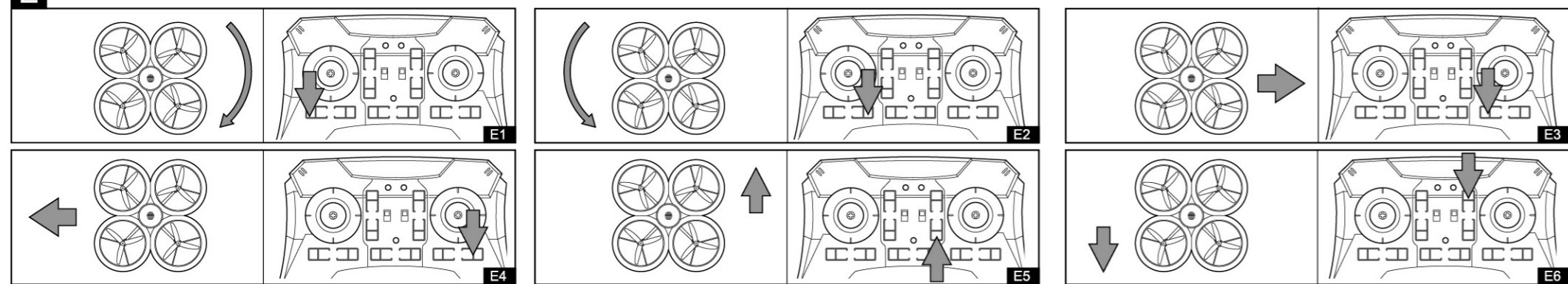
## C Battery Installation and Charging



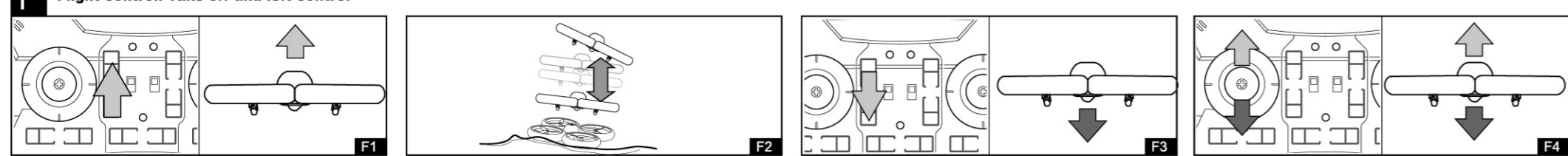
## D Flying the Drone



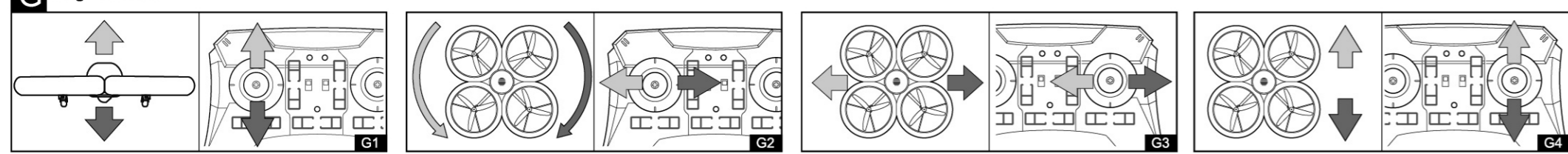
## E Trimming the Drone (In Normal Mode only)



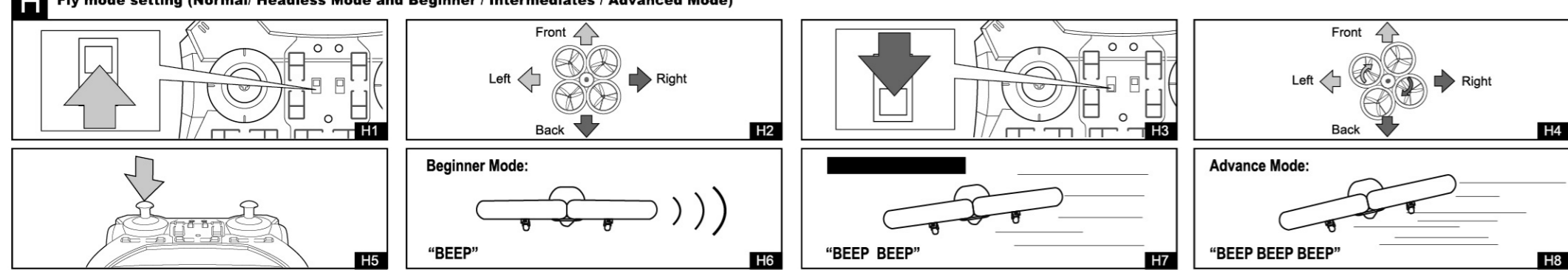
## F Flight control: Take off and left control



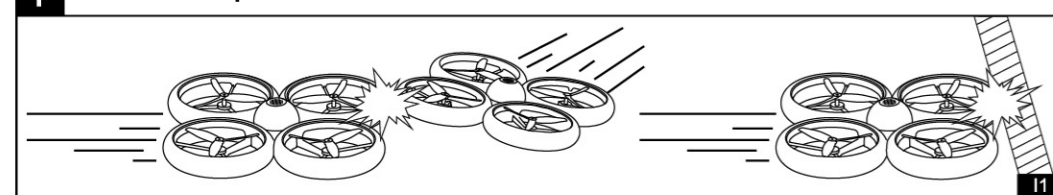
## G Flight control



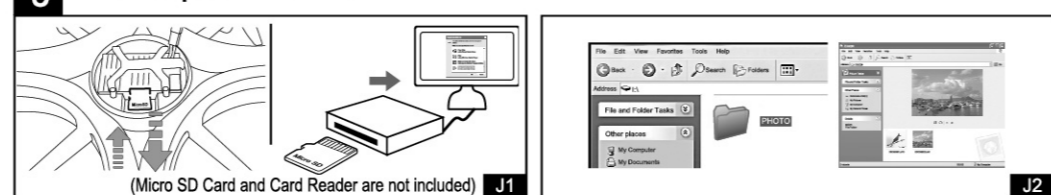
## H Fly mode setting (Normal/ Headless Mode and Beginner / Intermediates / Advanced Mode)



## I Protective Bumper



## J Download photos and videos



Transmitter	Transmitter	Transmitter	Transmitter
1. Propeller	5. Drone Status Indicator	9. Stop Button	13. Pitch Trimmer (FWD)
2. Battery	6. Auto Take Off/Landing Button	10. Yaw Trimmer (L/R)	14. Right Stick (Direction)
3. HD Camera	7. Left Stick (Abbride and Yaw)	11. Video Recording Button	15. Power Switch
4. Cover	8. Mode Switch: Normal Mode/Headless Mode	12. Transmitter Power Indicator	16. Pitch Trimmer (BWD)
			17. Roll Trimmer (L/R)
			18. Photo Taking Button
			19. Recording Indicator
			20. Battery Cover

**Warning!**  
When using a commercially-available USB AC adapter, make sure to use an adapter with a power output of 5V or more. Charging via other types of adapters may cause damage or malfunction.

**Warning!**  
Remove these batteries from the unit by pulling up on one end of each battery positive by hand. DO NOT remove or install batteries using sharp or metal tools.

**Charging the Drone**  
21. USB AC adapter (commercially-available) (not included)  
22. USB charger (supplied in this pack)  
23. Charging indicator

**Tip: Piling hints**  
- For controlling the sticks on transmitter, try not to push the sticks immediately to any extreme positions. It should be like steering a bicycle rather than pressing computer game sticks.  
- For the remote pilot (after the trimming procedure is completed), it is highly recommended to focus exclusively on learning to control the left stick first. If the drone turns around by itself, there is no need to keep it straight. For the first flight, it is important to learn to keep the drone at a constant level around 1 meter with very gentle inputs on the left stick. Once the pilot masters this, he may start learning to take control with the right stick.  
- Procedure for PAIRING the Drone and Transmitter  
2.4 GHz technology allows for many drones to fly without signal interference. A connection: PAIR / SYNC must be made between the Drone and the transmitter to function. Follow these steps to PAIR/SYNC the Drone and the transmitter:  
- Insert the battery into battery compartment firmly and connect with the plug on Drone, the LED will gradually light in and out. (D1 and D2)  
- Place the Drone on the ground with the tail pointing towards you and the nose pointing away.  
- Turn the Power Switch on (transmitter to "ON" position, the LED will gradually light in and out.  
- When the LEDs become flash, push the left stick to top then pull down to bottom(D3), LED on Drone will flash regularly, the pair procedure is completed. (D4)  
2. Arriving: Release (for manual take off)  
Pull the left stick to lower left corner and right stick to lower right corner simultaneously (D5) and the motor will start spinning. Push the left stick up to ascend the Drone. (D6)  
After descending the Drone, clean the motors by pushing sticks at the same time as picture shown. (D5)  
3. Self Calibration  
Place the Drone on a horizontal surface.  
Pull the left and right stick to lower corner (D7). After 8 seconds, you will hear a "beep" sound. The motors will spin and calibration process. When "two beeps" sound present, meaning that the calibration is completed. You can control the Drone now. (Only do the Self Calibration when unstable flying of Drone is happened.)  
4. Flight environment  
1. Before your first flight, please study the Instruction Manual and understand all the features and controls. For those who do not have any flight experience, please prior to seek instruction from an experienced person.  
2. DO NOT fly in bad weather, such as rain, wind or fog.  
3. The environment should be open and void of buildings or other obstacles.  
4. The drone flies from obstacles, persons and animals, power lines, trees, wires and wires etc.  
5. Try to avoid interference between the transmitter and other wireless equipment.

**ENGLISH** For ages 8+  
**WARNING: CHOKING HAZARD - Small parts. Not for Children under 3 years.**

**FCC Statements**  
This device complies with part 15 of the FCC rules. Operation is subject to the following two conditions:  
1) The device may not cause harmful interference, and  
2) The device must accept any interference received, including interference that may cause undesired operation.  
NOTE: This equipment has been tested and found to comply with the limits for a Class B digital device, pursuant to Part 15 of the FCC rules. These limits are designed to provide reasonable protection against harmful interference in a residential installation. However, there is no guarantee that interference will not occur in a particular installation. If the equipment does cause harmful interference to radio or television reception, which can be determined by turning the equipment off and on, the user is encouraged to take one of the following measures:  
- Reorient or relocate the receiving antenna.  
- Increase the separation between the equipment and receiver.  
- Connect the equipment into an outlet on a circuit different from that to which the receiver is connected.  
- Consult the dealer or an experienced radio/TV technician for help.

**Waste Electrical and Electronic Equipment (WEEE)**  
This symbol indicates that this product and its components should not be disposed of as domestic waste. Please recycle this product in accordance with local regulations for the disposal of electrical and electronic equipment. Other components can be disposed of in domestic refuse.

**The toy is only to be connected to Class II equipment bearing the following symbol.**

**Safety precautions:**  
Warning: Conversion or modifications to this product not expressly approved by the party responsible for compliance could void the user's authority to operate the product.  
- The USB cable is made for the Lipo rechargeable battery used in this Drone. Do not use to charge any battery other than that in the Drone.  
**Battery warnings:**  
- Non-rechargeable batteries are not to be recharged.  
- Rechargeable batteries are to be recharged before being charged. (Transmitter only)  
- Rechargeable battery are only to be charged to an adult.  
- Different types of batteries or new and used batteries are not to be mixed. (Transmitter only)  
- Only batteries of the same or equivalent type is recommended to be used.  
- Batteries are to be handled with correct polarity. - Extended batteries are to be removed from the product. (Transmitter only)  
- The supply terminals are not to be short-circuited. - Do not mix old and new batteries. (Transmitter only)  
- Do not mix alkaline, standard (carbon-zinc) or rechargeable batteries. (Transmitter only)

**Special notes to adults:**  
- Caution! Read carefully before first use. - Use only under adult supervision. - To be used in domestic area (house and garden) only.  
This Drone is equipped with a LiPo rechargeable battery, please pay attention to the following cautions for safety use:  
- Do not dispose the battery in fire or heat.  
- Do not use or leave the battery near a heat source such as fire or heater.  
- Do not strike or throw the battery against hard surface.  
- Do not immerse the battery in water, and keep the battery in a cool dry environment.  
- When recharging, only use the battery charger specifically for that purpose.  
- Do not over-charge the battery.  
- Do not connect the battery to an electrical outlet.  
- Do not directly solder the battery and connect the battery with a nail or other sharp object.  
- Do not disassemble or alter the battery. - Charge the battery every 6 months.  
- Do not transport or store the battery together with metal objects such as needles, sharpies etc.  
- As for a used battery, please recycle after covering the battery terminals with insulation tape or inserting it to an individual poly-bag.  
- Safety inside the product is not responsible.  
- The USB charger used with the toy is to be regularly examined for damage on the cord, plug, enclosure and other parts, and that in the event of such damage, the toy must not be used with this charger until the damage has been repaired.

**Notes:**  
- New alkaline batteries are recommended to use in this product to obtain best and maximum performance.  
- This product must only be used with the recommended charger.

**Battery requirements transmitter:**  
- Power supply: DC 4.5 V, 0.3 W  
- Battery ratings: 3 x 1.5 V "AA"/LR6AM3 (not included)

**Battery requirements Drone:**  
- Power supply: DC 3.7 V, 25 W  
- Battery ratings: 1 x 3.7 V LiPo Rechargeable Battery Pack (included)  
- Capacity: 855 mAh

**E1: Keep turning right**  
- When your Drone keeps turning right, press left side trimmer continually until it stops turning.  
**E2: Keep turning left**  
- When your Drone keeps turning left, press right side trimmer continually until it stops turning.  
**E3: Keep going right**  
- When your Drone keeps rolling sideways to right, press left side of roll trimmer continually until it stops rolling.  
**E4: Keep going left**  
- When your Drone keeps rolling sideways to left, press right side of roll trimmer continually until it stops rolling.  
**E5: Keep going forward**  
- When your Drone keeps going forward, press backward trimmer continually until it stops going forward.  
**E6: Keep going backward**  
- When your Drone keeps going backward, press forward trimmer continually until it stops going backward.

**F. Flight control: Take off and left control (See picture F)**  
Auto take-off & landing  
Press "Auto Take Off/Landing" button (F1), Drone flies up to a standard level and hovers in the air. The Drone can take off or land on quiet water surface (F2). Caution: do not push or submerge the Drone underwater. Water resistant (IPX4 Rated). Press again "Auto Take Off/Landing" button, Drone will land automatically. Press the "Stop" button for emergency stop. (F3)

**G. Flight control (See picture G)**  
**G1: Ascend and descend**  
When the Drone hovering in the air, slowly push the left stick up to ascend the Drone, or push it down a bit to descend the Drone. To maintain the current altitude, release to return to center.  
**G2: Turn left and right**  
Maintain the Drone at a certain height. Push the left stick toward left to turn the Drone anticlockwise, and push it toward right to turn it clockwise.  
**G3: Flying sideways**  
Maintain the Drone at a certain height. Push the right stick toward left to fly the Drone sideways to the left, and push toward right to fly the Drone sideways to the right.  
**G4: Forward and backward flight**  
Maintain the Drone at a certain height. Push the right stick upward to fly the Drone forward, and pull it downward to fly the Drone backward.

**H. Fly mode setting (Normal Mode and Headless Mode) (See picture H)**  
Headless mode (H4)  
When the Drone hovering in the air, the directions of control will be the same as the Drone's designated directions (H2). Switch to Normal Mode (H1), the directions of control will be the same as the Drone's directions (H2).  
Normal Mode (H1), the directions of control will be the same as the Drone's designated directions (H2).  
Headless mode (H4)  
When the Drone hovering in the air, the directions of control will be the same as the Drone's designated directions (H2). Switch to Normal Mode (H1), the directions of control will be the same as the Drone's directions (H2).  
Vertical press left stick (H5) to charge between: Beginner Mode (beep once) (H6) / Intermediates Mode (beep 2 times) (H7) / Advanced (beep 3 times) (H8)  
**I. Protective Bumpers**  
The bumpers are only applicable to keep propellers away from obstacles, to prevent crash and fall.  
**J. Download photos and videos**  
Step 1. Be sure the battery of Drone has been disconnected. Remove Micro SD card from Drone. Insert it into card reader and then connect with computer. A pop-up window will appear (J1).  
Step 2. Click "PHOTO" or "VIDEO" folder, copy the images or videos to your computer after your hand the file (J2).

Symptom	Cause	Correction
The Drone does not respond.	- The Drone and/or the transmitter is switched off ("OFF"). - The battery of the Drone is weak. - Drone enter into protected status when rotors have been locked.	- Set the power switch to "ON". - Charging the battery of drone. - Push the left stick to top then pull down to bottom once. - Repeat the PAIR/SYNC procedure again.
The Drone does not respond, or react poorly to operation by transmitter.	- PAIRING / SYNC Procedure is not yet completed or done.	- Repeat the PAIR/SYNC procedure again.
Loss of control.	- Out of the control range of distance. - Rotor blade is deformed or distorted.	- The transmission range is up to 30 meters in open space. - The transmission range is up to 15 meters in water surface. - Replace the rotor blade with the spare one provided.